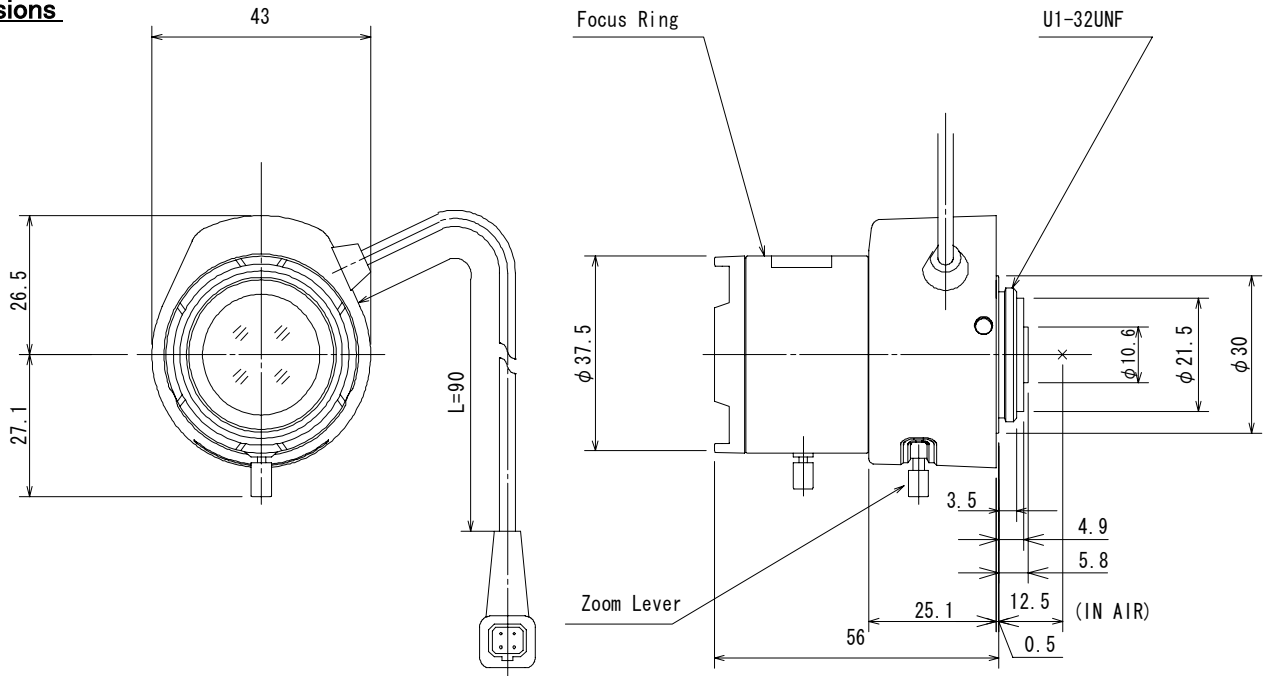


# TG4Z2813FCS-IR

**4X 2.8mm-12mm F1.3 Day & Night**  
**for 1/3 type Cameras, Aspherical Vari-focal Auto Iris DC Drive**  
**CS-Mount**

Model No.		TG4Z2813FCS-IR		Effective	Front	φ 23.0mm	
Focal Length		2.8mm - 12mm		Lens Aperture	Rear	φ 7.4mm	
Max. Aperture Ratio		1:1.3		Back Forcal Length	Tele	19.2mm	
Max. Image Format		4.8mm x 3.6mm(φ 6mm)			Wide	7.2mm	
Operation Range	Iris	F1.3 - F360		Flange Back Length		12.5mm	
	Focus	0.3m - Inf.		Mount		CS-Mount	
	Zoom	2.8mm - 12mm		Filter Size		-	
Control	Iris	DC Auto Iris		Dimensions		φ 37.5mm x 48mm x 56mm	
	Focus	Manual		Weight		71g	
	Zoom	Manual					
Angle of View	D	1/3 type	133.0° - 29.7°	1/4 type	95.0° - 22.3°		
	H		102.2° - 23.7°		74.2° - 17.8°		
	V		74.2° - 17.8°		54.7° - 13.3°		
Coil	Drive	190 Ω					
	Control	855 Ω					
Operating Temperature		-10°C - +50°C					

**Dimensions**



**Wiring Diagram**

